

ACTION PIN Press-Fit Pin for AMPMODU II Contacts

Technical Features

Press-fit zone

ACTION PIN

Material thickness

0.6 mm

Total Temperature Range

-65 °C ... +125 °C

Insertion Force

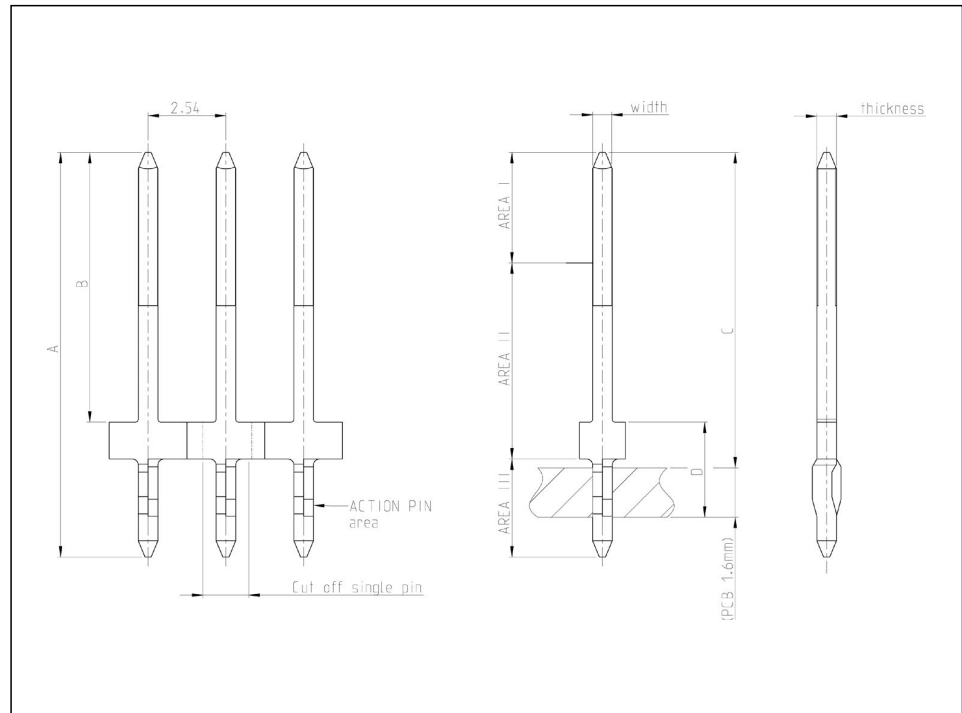
Max 180 N

Push-out Force

Min 50 N

Current Carrying Capacity

up to 5 Ampere
(@ 80 °C ambient temperature)



Product Drawing
928776

Product Requirements
IEC 60352-5 / TE 108-18012

Product Specification
108-18012

ACTION PIN Press-Fit Pin for AMPMODU II Contacts (continued on page 8)

Dimensions Area I, Contact Tab Area (mm) Width x Thickness	Dimensions (mm)				Nominal PCB Hole Diameter (mm)	Material	Finish Area I, Contact Tab Area	Finish Area III, Press-Fit Area	Part Number	Mating Receptacle Contact	Conversion Kit for P100/P300/P350 *)
	A	B	C	D							
0.64 x 0.64	11.45	7.05	8.25	3.10	0.9	CuSn	Au	Sn	1-928776-2	166500-2 280530-1	3-*410-0
0.64 x 0.64	15.20	10.80	12.00	3.10	0.9	CuSn	Au	Sn	1-928776-3	166500-2 280530-1	3-*410-0
0.64 x 0.64	13.20	8.80	10.00	3.10	0.9	CuSn	Au	Sn	1-928776-4	166500-2 280530-1	3-*410-0
0.64 x 0.64	10.00	5.60	6.80	3.10	0.9	CuSn	Au	Sn	1-928776-5	166500-2 280530-1	3-*410-0
0.64 x 0.64	16.80	12.40	13.60	3.10	0.9	CuSn	Sn	Sn	1-928776-6	166500-9 280708-2	3-*410-0
0.64 x 0.64	21.20	16.80	18.00	3.10	0.9	CuSn	Au	Sn	1-928776-7	166500-2 280530-1	3-*410-0
0.64 x 0.64	8.40	4.00	5.20	3.10	0.9	CuSn	Sn	Sn	1-928776-9	166500-9 280708-2	3-*410-0
0.64 x 0.64	11.45	7.05	8.25	3.10	0.9	CuSn	Sn	Sn	2-928776-2	166500-9 280708-2	3-*410-0
0.64 x 0.64	15.20	10.80	12.00	3.10	0.9	CuSn	Sn	Sn	2-928776-3	166500-9 280708-2	3-*410-0
0.64 x 0.64	16.80	12.40	13.60	3.10	0.9	CuSn	Au	Sn	2-928776-6	166500-2 280530-1	3-*410-0

*) For dash numbers please contact TE Application Tooling

ACTION PIN Press-Fit Pin for AMPMODU II Contacts (continued from page 7)

Dimensions Area I, Contact Tab Area (mm) Width x Thickness	Dimensions (mm)				Nominal PCB Hole Diameter (mm)	Material	Finish Area I, Contact Tab Area	Finish Area III, Press-Fit Area	Part Number	Mating Receptacle Contact	Conversion Kit for P100/P300/P350 *)
	A	B	C	D							
0.64 x 0.64	21.20	16.80	18.00	3.10	0.9	CuSn	Sn	Sn	2-928776-7	166500-9 280708-2	3-*410-0
0.64 x 0.64	11.45	7.05	8.25	3.10	0.9	CuSn	Sn	Sn	3-928776-2	166500-9 280708-2	3-*410-0
0.64 x 0.64	13.20	8.80	10.00	3.10	0.9	CuSn	Sn	Sn	3-928776-4	166500-9 280708-2	3-*410-0

*) For dash numbers please contact TE Application Tooling